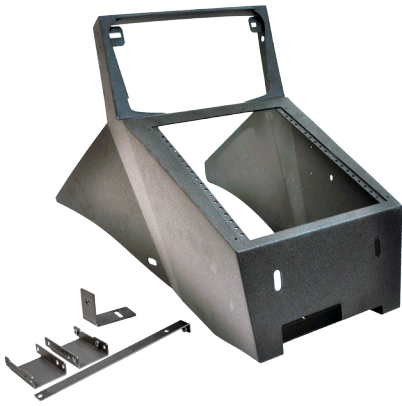


**425-6175
'12+ Charger
CC/CD Console**

Installation Instructions



Remove forward OEM console plastic cover to expose OEM mounting points for aluminum floorplate. Remove (2) 10mm flange nuts. Nuts will be re-used.



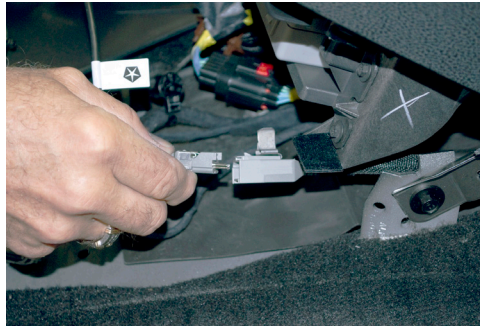
Remove (2) 8mm mounting screws at the rear mounting point of the aluminum floorplate. Screws will be re-used. This will allow the removal of the OEM aluminum floorplate and brackets.



This will expose the plastic OEM console. Remove (1) 10 mm flange nut from center of plastic console. Nut will be re-used.



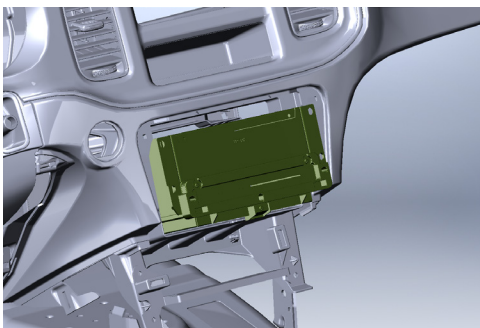
With both hands, grasp the plastic OEM console on both sides and pull directly rearward to release.



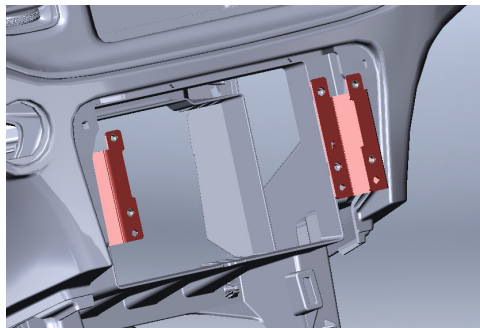
Disconnect wiring harness for 12V, USB, and Proximity Sensor from OEM console.



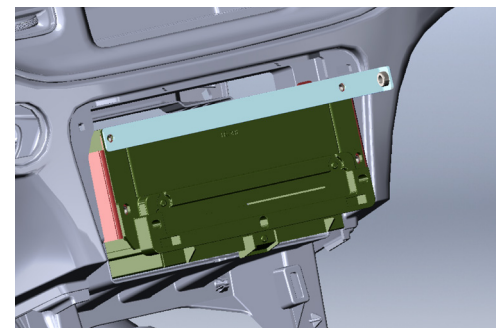
At this point – you need to remove the OEM Climate Control Cluster. At the bottom left and right edge, pull away from the dash and it will unsnap from the OEM dash structure. Disconnect cable from rear of CC cluster. Set aside for later use.



Remove OEM radio for relocation.



Attach the left and right radio brackets (brackets are stamped left/right) to dash in same location radio was removed from.



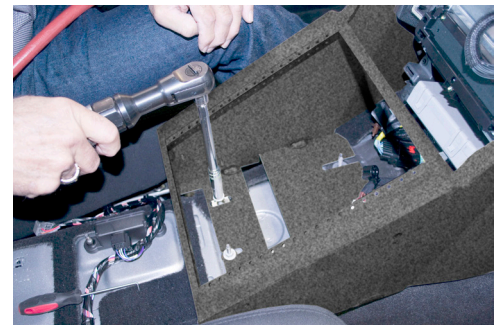
Re-install radio to radio brackets using (4) 10-32 screws. The cross brace attaches with the two upper screws.



Position the console into the dash opening with the wings on the outside of the OEM dash sub-structure. Slots on floor of console should line up with OEM mounting studs. Work back toward dash to attain the exact position/fit.



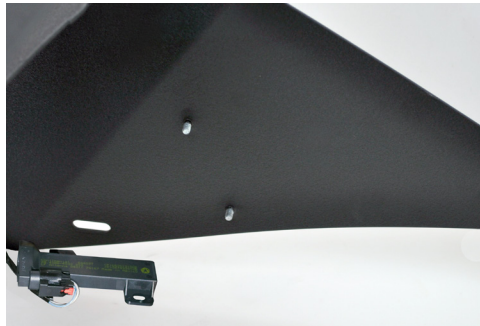
Install climate control into Jotto Desk Contour Console and connect cables back into module.



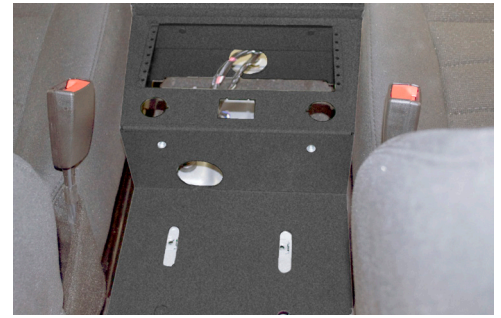
Utilize OEM flange nuts to finish the installation of Jotto Desk Contour Console, securing onto OEM mounting studs. This will snug up the console to the OEM dash.



Secure Accessory Adaptor Plate to the front/face of Climate Control Console using provided hardware and to the rear mounting points using the OEM 8 mm screws.



Relocate the Proximity Sensor to the driver's side wing of console using (2) 8-32 nuts. Place nylon washer, then sensor, then 8-32 nuts.



Accessory Adaptor Plate houses the OEM 12v outlets and USB connector. Utilize the provided USB extension cable. Plug the male end into the harness under the dash and the female end into the USB connector. Re-mount 12v outlets and USB connector into Accessory Adaptor Plate


PUBLIC SAFETY SOURCE
 WWW.PUBLICSAFETYSOURCE.COM
1-866-587-4661

