



425-6478
'16+ FORD PI Utility
Contour Console

Installation Instructions

**Not compatible with Ford Police Interceptors ordered with Interior Upgrade Package.*



Remove all (6) 8mm bolts that secure OEM cover plate to vehicle (will be reused)



At dash of OEM cover plate – remove tab that secures a cable to OEM cover plate



Remove (2) OEM Trim Panels from Side of Dash



Disconnect (2) 12v outlets and USB/Line-in plate. Use small flat blade screw driver to remove OEM 12v outlets and USB/Line-in plate. Set aside for remounting USB in Jotto Desk Contour Console



DO NOT DISCONNECT!

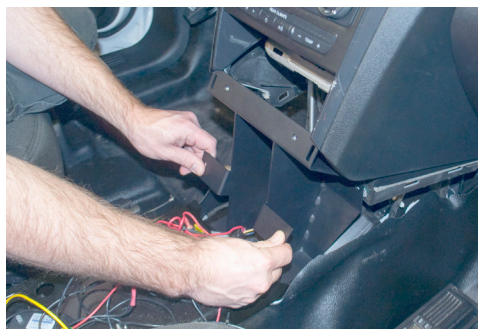
The PCM Module controls the keyless entry and once disconnected has to be reset by manufacturer. Unsecure from OEM trim and set back out of the way.



Remove Middle/Lower Dash Structure – by removing 2 (10 mm) bolts/screws.



Slide Rear Mount Plate under OEM wiring and replace OEM cover plate. Secure using the supplied all thread studs.



Place Jotto Desk Forward Mount Bracket into OEM Dash.

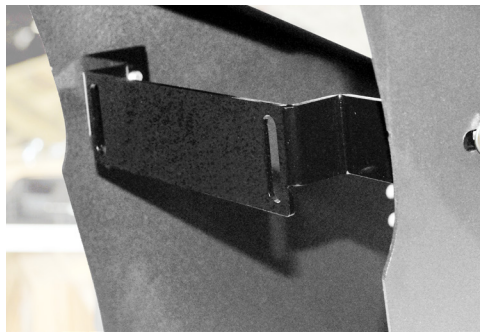


Attach Forward Mount Bucket using 8mm OEM bolts to upper location and 10mm OEM bolts to lower location.

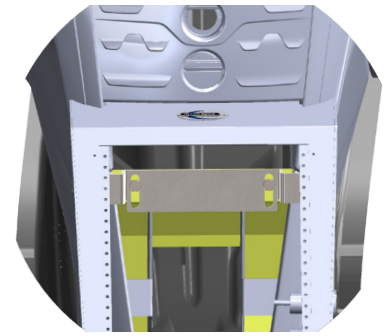
Continued on back....



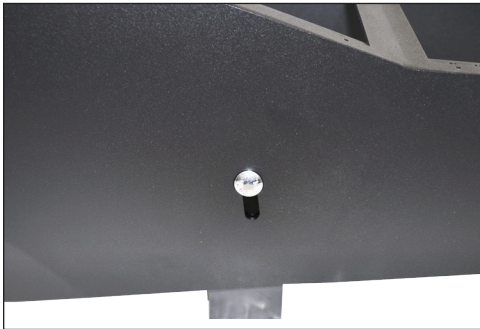
Replace OEM Trim Panels, securing to provided Dash Mount Structure.



Outside of vehicle – secure the Dash Mount Bracket to the Jotto Desk Contour Console. Be sure to finger tighten the bolts to allow adjustability.



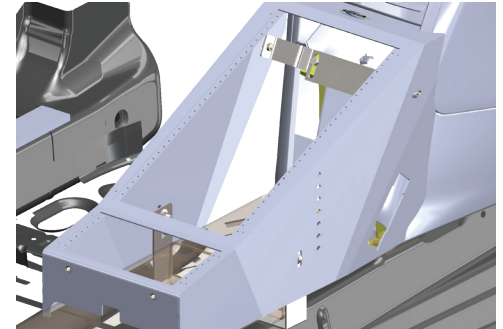
Place Jotto Desk Contour Console into the vehicle dash area...lining up the Dash Mount Bracket to the Middle Dash Structure. Loosely secure using provided hardware.



Be sure the Console is positioned outside of the Rear Mount Plate tabs. Adjust Contour Console so that all mount points match or line up.



Secure through the outside of the contour console to the rear mount plate using provided hardware and tighten all mount points.



Mount USB/Line-in plate into Contour Console. Attach the wiring for the provided 12V outlets, and re-attach USB/line-in.

If you have questions or need further assistance please call Technical Support: 1.877.455.6886



209 W. EASY ST., ROGERS, AR 72756 • www.EVERYTHINGBUTLIGHTS.com • 11/17

Jotto Desk® is a patented product and Registered Trademark of Assembled Products™ Corporation. Contour Console™ has design and utility patents. Additional Patents Pending. Specifications subject to change without notice.